

NITE BRITES

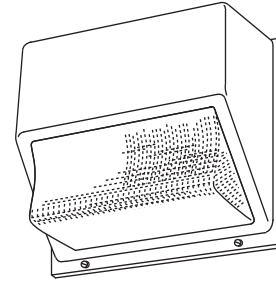
JOB NAME _____

TYPE _____

WLL-LARGE WALL LIGHT

150-400 watt Metal Halide
150-400 watt High Pressure Sodium
150-400 watt Pulse Start Metal Halide

The Large Wall Light is ideal for general and security lighting in areas requiring high light levels at higher mounting heights. Use for exterior applications such as retail buildings, residential complexes, educational facilities, hotels, tunnels, underpasses, warehouses and industrial applications.



ORDERING MATRIX

SAMPLE CATALOG NUMBER: WLL400MMT-Q

WLL	[]	[]	[]	-	[]
FIXTURE WLL		LAMP SOURCE M - Metal Halide S - High Pressure Sodium P - Pulse Start Metal Halide (Ballast option must also be specified)			OPTIONS (add as suffix) CUL - UL Listing to meet CSA standards HR - Hot Restrike ³⁴ LP - Lamp with fixture PCR - Photo Control Receptacle ¹³ PE - Photo Control (not available in 480 V) PSC - Pulse Start CWA Ballast PSR - Pulse Start Reactor Ballast ³⁸ Q - Quartz Standby QEM - Quartz Emergency ⁴⁰ QTD - Quartz Time Delay WDF - Wired Double Fuse ⁴⁵ WSF - Wired Single Fuse ⁴⁶
	WATTAGE		VOLTAGE		
	150 - 150 175 - 175 ^{1,33} 200 - 200 ³¹ 250 - 250 320 - 320 ³⁰ 350 - 350 ³⁰ 400 - 400		12 - 120 20 - 208 24 - 240 27 - 277 34 - 347 48 - 480 MT - 120/208 240/277		

ACCESSORIES (order separately)

- FDF - Double Fuse Holder only
- FSF - Single Fuse Holder only
- GSWLL - Glare Shield
- VCWLL - Cutoff Visor
- YSWLL - Vandal Shield
- WGWLL - Wire Guard
- PC-MT - Photo Control Twist Lock multi-volt
- PC-48 - Photo Control Twist Lock 480 volt
- PCR-SC - PCR Shorting Cap
- WLS-PEC12 - Photo Control 120 volt
- WLS-PEC27 - Photo Control 208-277 volt
- WLL-PMK - Pole Mounting Kit
- TP - Tamper Proof

(For additional descriptions of Wall Light accessories refer to sheet number OA-50030.)

Footnotes:

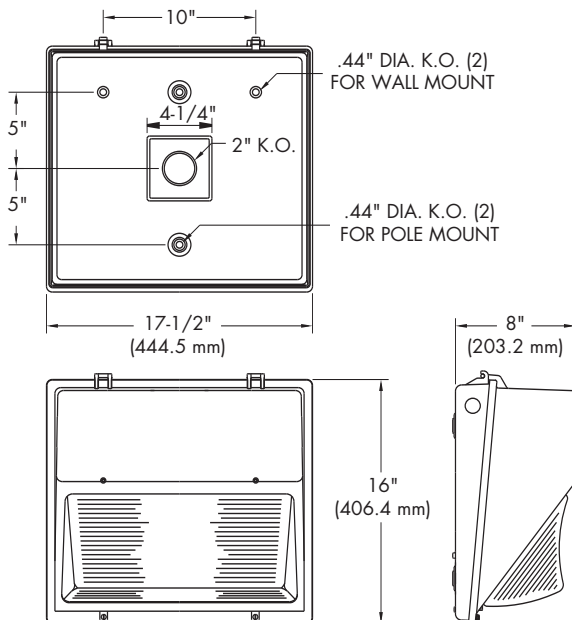
- ¹Metal Halide only.
- ¹³Order Twist Lock Photo Control separately.
- ³⁰Pulse Start Metal Halide only.
- ³¹Not available in standard Metal Halide.
- ³³Not available in Pulse Start Metal Halide.
- ³⁴Available in 150 High Pressure Sodium only.
- ³⁸Available in 400 watt and below except for 175 watt, 277 volt only.
- ⁴⁰Requires 120 volt secondary power supply.
- ⁴⁵Use with 208, 240 and 480 volt.
- ⁴⁶Use with 120, 277 and 347 volt.

General Notes:

- Mogul base lamp only.
- All options are factory installed.
- All accessories are field installed.

Warning: Refer to and follow the lamp manufacturer's warnings and instructions.

DIMENSIONS



ENERGY DATA

HIGH PRESSURE SODIUM

HX BALLAST INPUT WATTS

150 watt-188 watts

CWA BALLAST INPUT WATTS

200 watt-240 watts

250 watt-295 watts

310 watt-365 watts

400 watt-464 watts

METAL HALIDE

HX BALLAST INPUT WATTS

150 watt-189 watts

CWA BALLAST INPUT WATTS

175 watt-210 watts

250 watt-285 watts

400 watt-485 watts

PULSE START METAL HALIDE

CWA BALLAST INPUT WATTS

150 watt-189 watts

200 watt-232 watts

250 watt-288 watts

320 watt-368 watts

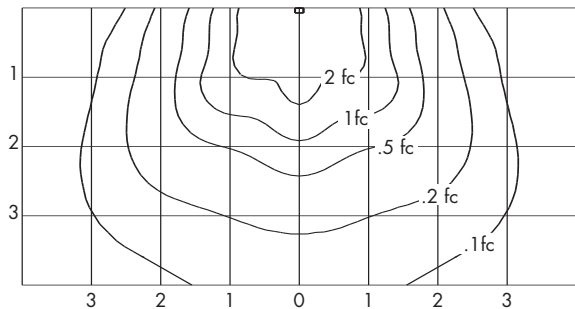
350 watt-400 watts

400 watt-452 watts

WEIGHT = 37 lbs. (max.)

WL-43010.1

PHOTOMETRICS



UNITS SHOWN IN TERMS OF MOUNTING HEIGHT
INITIAL FOOTCANDLES SHOWN

CATALOG NUMBER: WLL400M
 TEST NUMBER: 13230
 LAMP: METAL HALIDE
 WATTAGE: 400
 LUMENS: 40,000
 TILT ANGLE: 0°
 MOUNTING HEIGHT: 25 FEET

LIGHT LEVEL MULTIPLYING FACTORS	
MOUNTING HEIGHT	MULTIPLIER
40'	0.39
35'	0.51
30'	0.69
25'	1.00
20'	1.56
15'	2.77

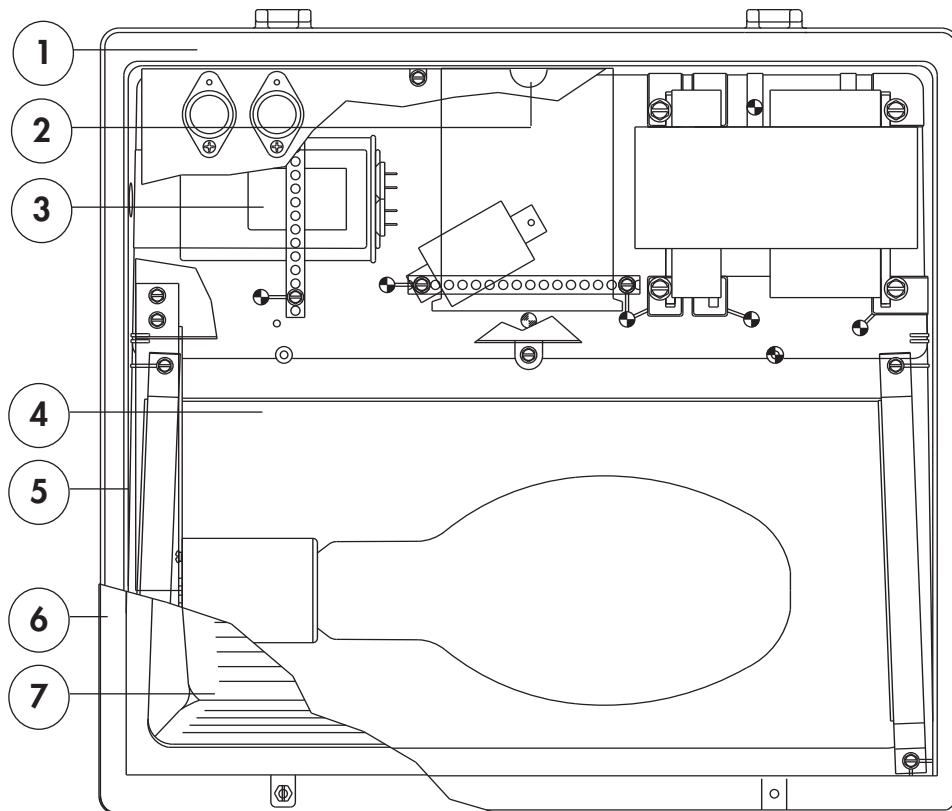
ADDITIONAL TEST NUMBERS

DESCRIPTION/CATALOG NUMBER	TEST NUMBER
WLL250M	13232
WLL175M	13235
WLL400S	13222
WLL250S	13224
WLL150S	13226

PRODUCT FEATURES

UL 1598 Listed for wet location, 25°C ambient, and feed-through wiring for all lamp wattages listed.

1. Heavy duty two piece die cast aluminum housing is top hinged for ease of maintenance. Two captive stainless steel door fasteners.
2. 3/4" threaded conduit top entry with plug, and 3/4" knock outs on each side for surface conduit entry.
3. All electrical components in front housing with quick disconnect for ease of installation and service. Lightweight back plate is easily attached to wall, and quick disconnect eases front housing installation.
4. Computer designed and precision formed specular aluminum reflector.
5. Gaskets are long lasting silicone rubber.
6. Dark bronze polyester powder finish for excellent impact, corrosion, and UV resistance.
7. Clear prismatic borosilicate glass refractor is thermal and shock resistant.



Visit our web site at www.daybritelighting.com

776 South Green Street Tupelo, MS 38804 Phone: 662-842-7212 Fax: 662-841-5501

189 Bullock Drive Markham, Ontario Canada L3P 1W4 Phone: 905-294-9570 Fax: 905-294-8911
 Day-Brite Lighting reserves the right to make changes without notice. ©February 2005. DL.5M0205
 Day-Brite Lighting is a Genlyte Thomas Group.

WL-43010.1

 **Day-Brite® Lighting**