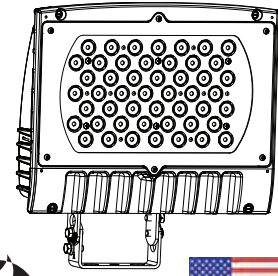


# NITE BRITES

## FSI-LED INTERMEDIATE FLOODLIGHT 90 Watt LED

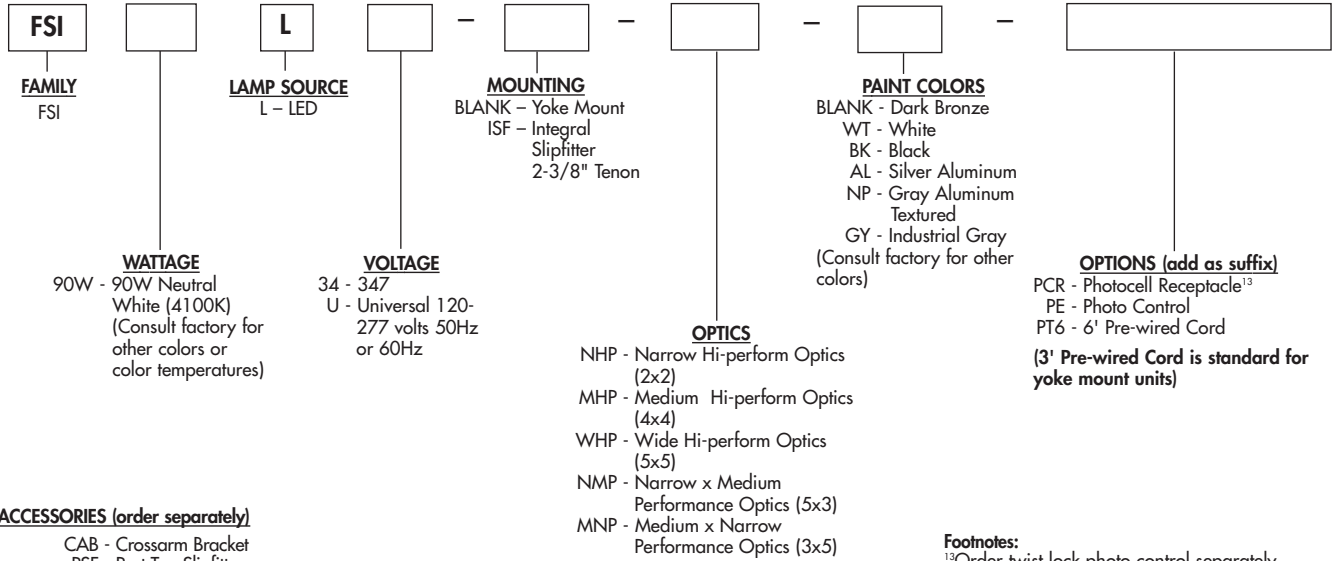


JOB NAME \_\_\_\_\_  
TYPE \_\_\_\_\_

The LED Intermediate Floodlight packs a big punch in a compact size. It is perfect for lighting signs, building facades, parking lots or for general security lighting.

### ORDERING MATRIX

SAMPLE CATALOG NUMBER: FSI90WLU-NMP



#### ACCESSORIES (order separately)

- CAB - Crossarm Bracket
  - PSF - Post Top Slipfitter
  - EPSF - Economy Post Top Slipfitter
  - VSFISLED - Vandal Shield
  - PWB - Pipe/wall bracket
  - PC-MT - Photo Control Twist lock, multi-volt (must have PCR option)
  - PCR-SC - PCR Shorting Cap
  - WGFISLED - Wire Guard
  - WLS-PEC12 - Photo Control 120 volt
  - WLS-PEC27 - Photo Control 208-277 volt
  - TP - Tamper Proof
- (For additional descriptions of Floodlight accessories refer to sheet number OA-50010.)

#### Footnotes:

<sup>13</sup>Order twist lock photo control separately.

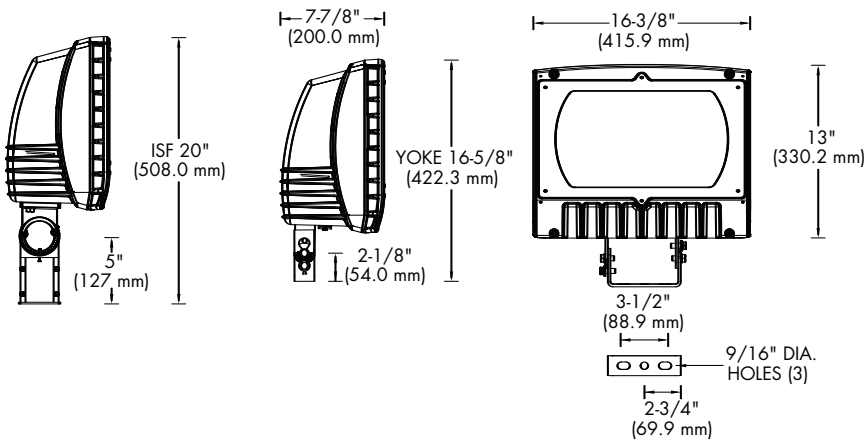
#### General Notes:

All options are factory installed.  
All accessories are field installed.  
Data subject to change without notice.

#### Predicted L70 Lifetime:

25°C Ambient - >60,000 hours  
40°C Ambient - >60,000 hours  
(based upon LED manufacturer's supplied LM-80 data and in-situ laboratory testing)

### DIMENSIONS



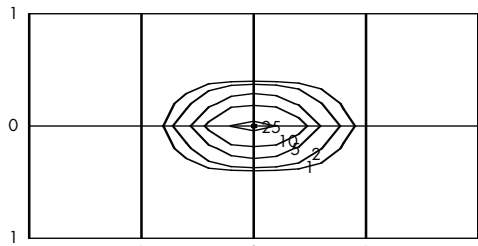
EPA = 1.00 sq. ft.  
WEIGHT = 26 lbs. (max.)

PHILIPS  
**Day-Brite**

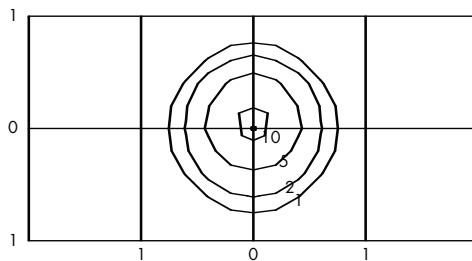
FSI-LED INTERMEDIATE FLOODLIGHT

FL-41031

## PHOTOMETRICS

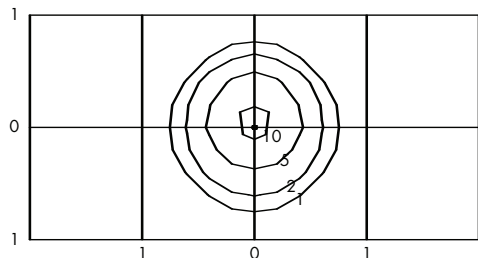


CATALOG NUMBER: FSI90WL-NMP  
 TEST NUMBER: LTL19064  
 LAMP: LED  
 WATTAGE: 101  
 LUMENS: 5211  
 TILT ANGLE: 0°  
 MOUNTING HEIGHT: 25 FEET

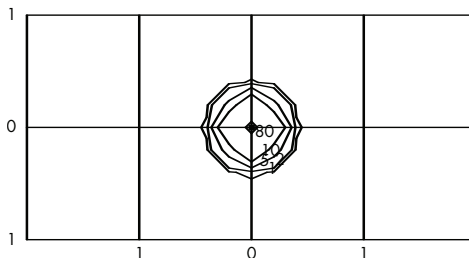


CATALOG NUMBER: FSI90WL-WHP  
 TEST NUMBER: LTL19063  
 LAMP: LED  
 WATTAGE: 101  
 LUMENS: 5227  
 TILT ANGLE: 0°  
 MOUNTING HEIGHT: 25 FEET

Note:  
 Photometric values based on tests performed  
 in compliance with LM-79



CATALOG NUMBER: FSI90WL-MHP  
 TEST NUMBER: LTL19061  
 LAMP: LED  
 WATTAGE: 101  
 LUMENS: 5315  
 TILT ANGLE: 0°  
 MOUNTING HEIGHT: 25 FEET



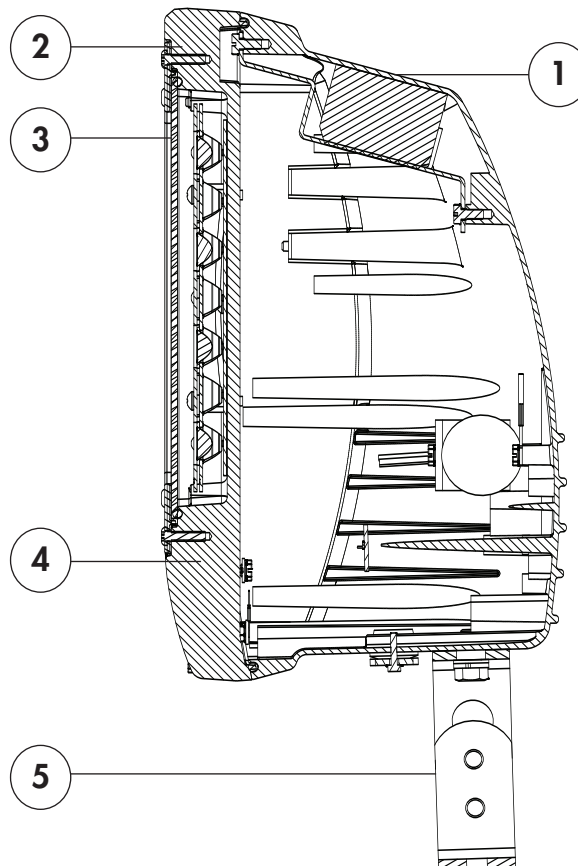
CATALOG NUMBER: FSI90WL-NHP  
 TEST NUMBER: LTL19062  
 LAMP: LED  
 WATTAGE: 101  
 LUMENS: 5549  
 TILT ANGLE: 0°  
 MOUNTING HEIGHT: 25 FEET

## PRODUCT FEATURES

Certified to meet UL 1598 standards for wet location and 40°C ambient.

1. Sturdy one piece die cast aluminum housing.
2. Cast aluminum heat sink designed for excellent thermal transfer to extend component life.
3. Tempered glass lens is thermal shock and impact resistant.
4. Polyester powder finish for excellent impact, corrosion and UV resistance.
5. Choice of mountings: adjustable yoke mount (standard) or integral slipfitter mount (optional).
6. Furnished with 10kV surge protector.
7. Components are RoHS compliant.
8. LED light engine and driver are field replaceable.

**5 Year Limited Warranty**



**FL-41031**

DAY-BRITE LIGHTING • [www.daybritelighting.com](http://www.daybritelighting.com)  
 776 South Green Street • Tupelo, Mississippi 38804 • PH: (662) 842-7212 • FAX: (662) 841-5501  
**CANADIAN DIVISION**  
 189 Bullock Drive • Markham, Ontario L3P 1W4 • PH: (905) 294-9570 • FAX: (905) 294-9811  
 ©JUNE 2010 All rights reserved.

**PHILIPS**  
**Day-Brite**