

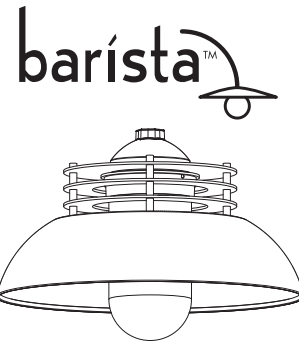
# NITE BRITES

JOB NAME \_\_\_\_\_

TYPE \_\_\_\_\_

## BIS-RLM SERIES - ELENA

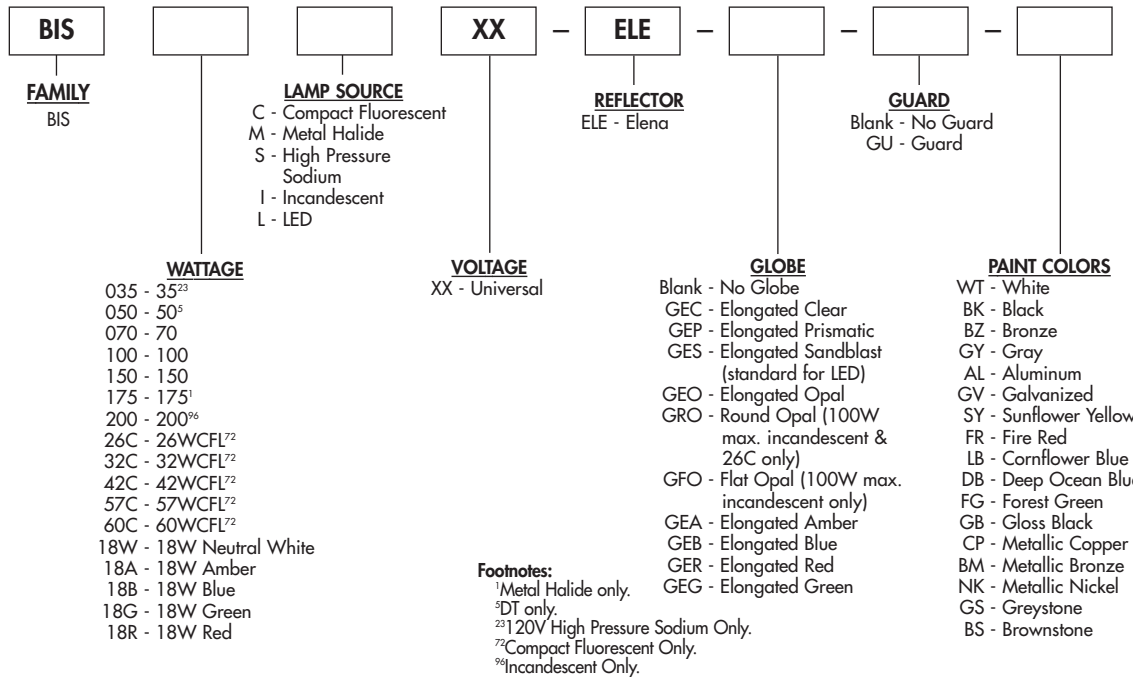
50-175 watt Metal Halide  
35-150 watt High Pressure Sodium  
26-60 watt Compact Fluorescent  
18 watt LED



The RLM Series offers unique designs and old standards to enhance the aesthetic appeal of restaurants, retail stores, businesses, and other areas where decorative reflector units are desired.

### ORDERING MATRIX

SAMPLE CATALOG NUMBER: BIS175MXX-ELE-GEO-AL



**Footnotes:**  
<sup>1</sup>Metal Halide only.  
<sup>5</sup>DT only.  
<sup>23</sup>120V High Pressure Sodium Only.  
<sup>72</sup>Compact Fluorescent Only.  
<sup>96</sup>Incandescent Only.

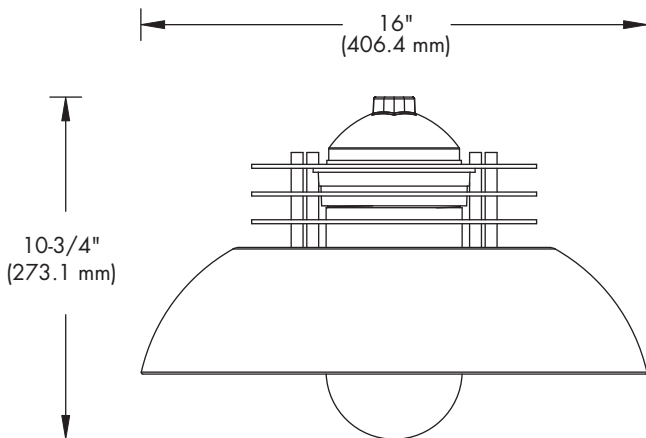
**General Notes:**  
All options are factory installed.  
Medium base lamp only.  
GX24q lamp base for 26-57W compact fluorescent.  
2G8 lamp base for 60W compact fluorescent.  
All accessories are field installed.

**Warning:** Refer to and follow the lamp manufacturer's warnings and instructions.

### ACCESSORIES (order separately)

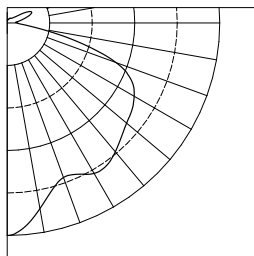
For additional descriptions of accessories, refer to sheet numbers DC-47900 and DC-47910.

### DIMENSIONS

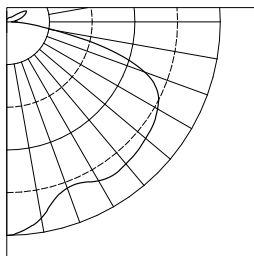


Day-Brite® Lighting

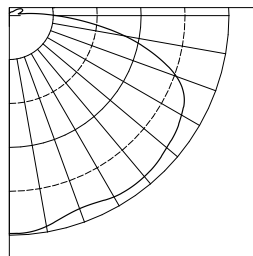
BIS - RLM SERIES - ELENA DC-47010.1



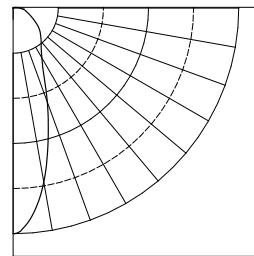
BIS100IXX-ELE-GEP  
 TEST NUMBER: 26246  
 LAMP: 100W A19  
 LUMENS: 1,680  
 MOUNTING HEIGHT: 12 FEET



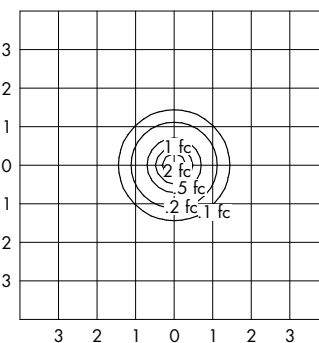
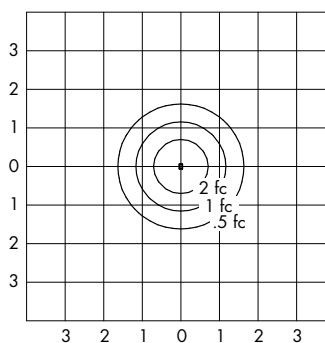
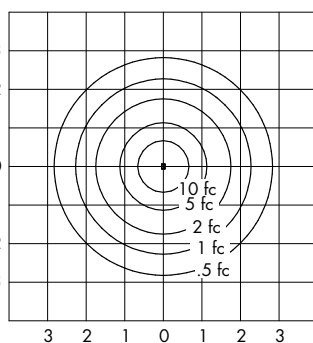
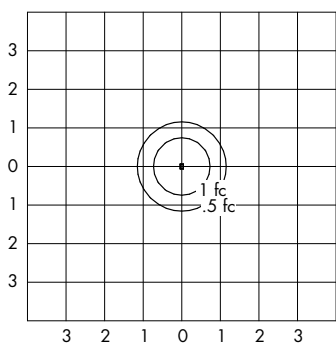
BIS175MXX-ELE-GEP  
 TEST NUMBER: 26249  
 LAMP: 175W MH, COATED  
 LUMENS: 15,000  
 MOUNTING HEIGHT: 12 FEET



BIS42CCXX-ELE-GEP  
 TEST NUMBER: 26293  
 LAMP: 42W CFL  
 LUMENS: 3,200  
 MOUNTING HEIGHT: 12 FEET



BIS18WLXX-ELE-GES  
 TEST NUMBER: 27584  
 LAMP: 18W LED NEUTRAL WHITE  
 LUMENS: 700  
 MOUNTING HEIGHT: 12 FEET



UNITS SHOWN IN TERMS OF MOUNTING HEIGHT  
 INITIAL FOOTCANDLES SHOWN

PRODUCT FEATURES

- UL 1598 Listed for wet location and 25°C ambient for all lamp wattages listed.
- 1. 1/2" NPT threaded hub for easy, positive mounting.
- 2. Die cast aluminum pendant mount assembly with polyester powder finish.
- 3. Spun aluminum reflector assembly with polyester powder finish.
- 4. Optional heat and shock resistant glass optical.
- 5. Optional die cast aluminum guard with polyester powder finish. (Not shown)

